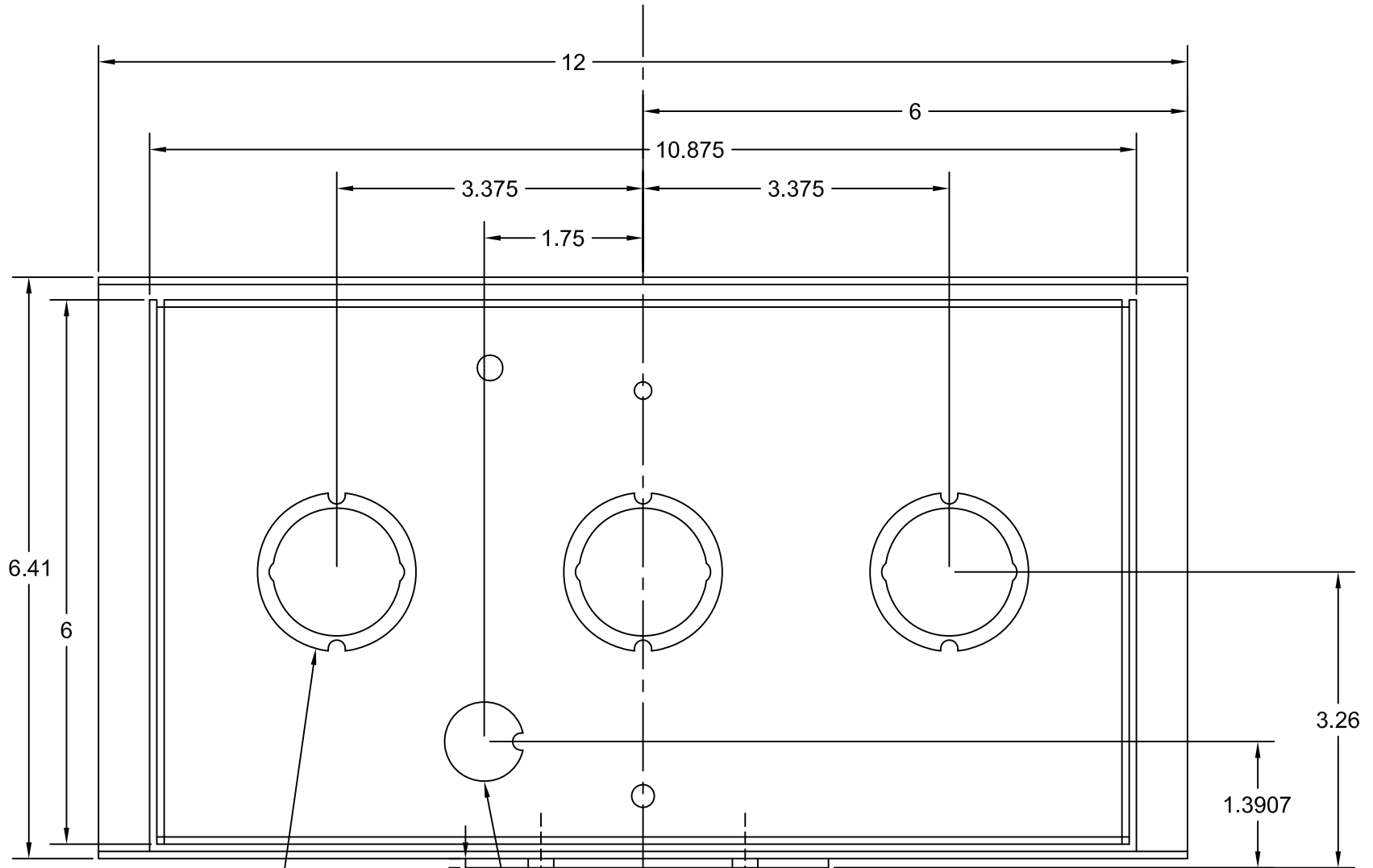


FRONT



BACK

(3) DOUBLE K'O's
1" - 1.25" CONDUIT

0.5" CONDUIT K'O'

BOTTOM VIEW

DIMENSIONS AND K'O's SUBJECT TO CHANGE WITHOUT NOTICE.

RONK ELECTRICAL
INDUSTRIES, INC.

7103, D7103